



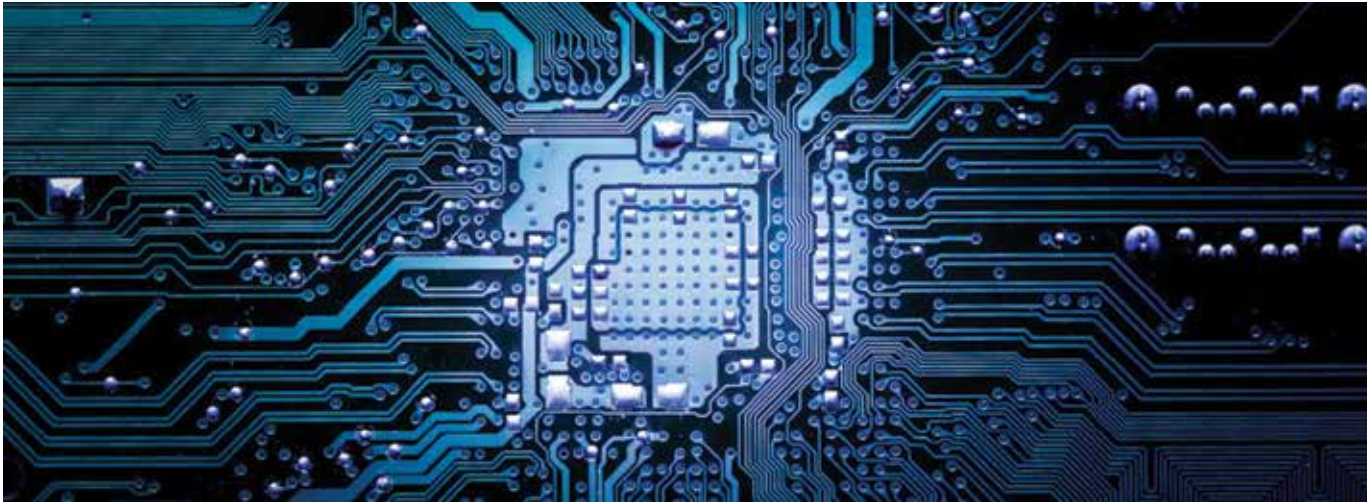
Semiconductor Backend Tools Catalog



2022



AT A GLANCE



Oricus Semicon Solutions is an innovative Semiconductor Tools manufacturing company who, with almost 100 years of collective expertise, craft high tech bespoke tooling solutions for the global Semiconductor Assembly and Test industry.

From one-off customised products to large scale production, our R&D strength, precision manufacturing experience and problem-solving capabilities are impeccable. With a passion for engineering and customer oriented service, we deliver price competitive precision Semiconductor Tooling solutions to a global market with a local presence.

Oricus is made up of a global network of professionals with strong commitment and passion for our work. The company is managed and operated with a spirit of professionalism based on the foundation of integrity, equality and respect. We are determined, objective with a sense of ownership to deliver on our goals. We value our values, professionalism, passion, perseverance and our relentless pursuit to deliver value for our customers.



Authenticity



Expertise



Professionalism



Perseverance



Passion



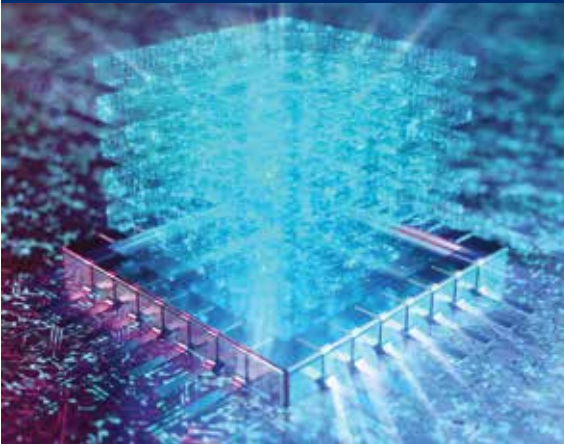
Community

Oriented to Customer's needs



We excel at creating specials – one of a kind pieces, with one of a kind craftsmanship combining with the latest in manufacturing technology to produce micro precision tooling. Oricus can Design and Manufacture either one-offs or high volume orders to your unique specifications, from High Temperature resistant tools for Power Devices to tools with complex geometries for 3D Advanced Packaging.

Industry Leading Solutions



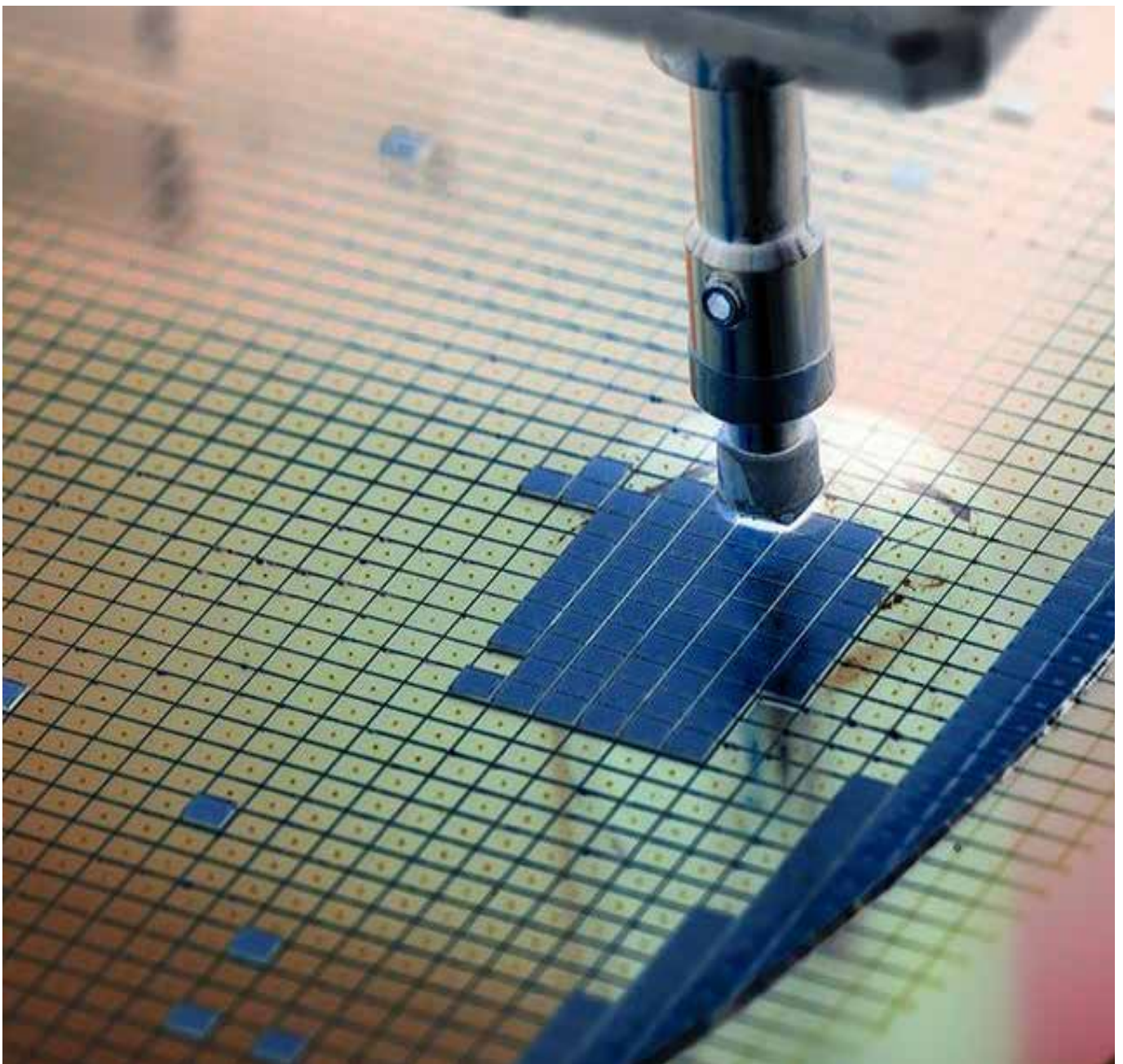
Our Technical Sales Consultants and R&D teams of seasoned Semiconductor Assembly and Test industry professionals will study your chip and package requirements and offer effective and competitive tooling solutions that will work right out of the box. Oricus has the solution to your tooling requirements. Leave it to us and you can focus on your key processes.

Research and Development



R&D is the cornerstone of our commitment to deliver market leading tooling solutions. Our Material Science know-how, coupled with our Manufacturing Expertise and knowledge on the latest demands of Integrated Circuits Packaging allow us to offer tools that maximizes productivity and minimizes downtime.

Die Attach



Rubber Holders



Common Holders

Our most versatile range of holders that comes with precise geometries that fits Flat Tips, Vacuum Relief Tips, Groove Tips and Contact Tips.



Tri-Lock Holders

Features our 3-point contact technology for secure fitment. Special profile to keep vacuum forces enclosed within the tool for optimal suction strength.



Magnetic Holders

Tip manufactured with an encapsulated magnet that allows for speedy, fuss-free installation while maintaining superior fitment and alignment.



Compression Holders

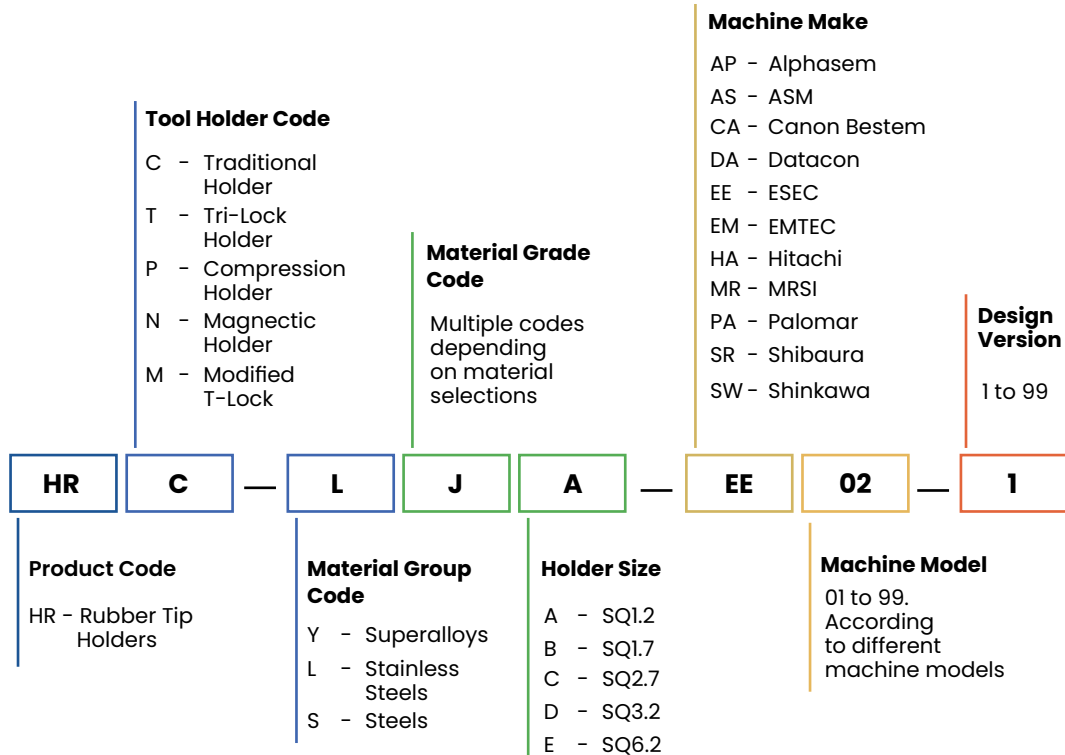
4 precision controlled sidewalls to secure the outer perimeter of the tip. Reduces overall assembled tool footprint without the need for holder-tip assembly.



Spring-Loaded Holders

Our Spring-loaded holders feature our unique Spring Holding mechanism to ensure that the holders comply strictly with the spring force requirements of your application, even after continuous use.

Part Numbers And Ordering



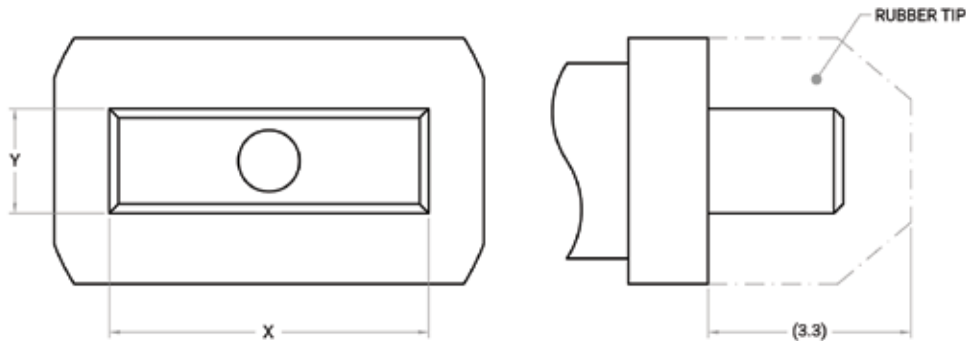
Common Holders



Rubber Side Contact Tips are suitable for use in applications where tip contact to the surface of the die should be limited or avoided. For these applications, we do not recommend the use of surface contact tip designs in order to safeguard the critical features on the die surface.

The design of our Side Contact Tips features tapered contact angles to contact the selected edges of the die. Our innovative tip geometries ensure the stability and performance for such critical applications during the Pick and Place process.

Oricus manufactures a wide range of customized Rubber Side Contact Tips with angle configurations designed and manufactured to fit your die and application requirements. Standard angle configurations of 5°, 10°, 15° or 20° are available. We are also able to produce customized angles and application specific geometries to your requirements.



Features

- Suitable for use in Die Bonders, Flip-Chip, Die Sorters and Surface Mount Technology (SMT) machines
- Available in various Stainless Steel and Aluminium grades that are suitable for Cleanroom environments
- Common Holders are made to fit our Rubber Tips to ensure stringent flatness tolerances after assembly

Benefits

- Competitive cost as compared to other holder designs
- Single holder design that will be able to fit an extensive range of tip sizes and die sizes
- Common Holders are designed for easy Plug-and-Play into our Rubber Tips to avoid damage to the tip surface
- Tool shanks are controlled to tight tolerances to ensure minimal play when installed into the tool holder

Part Number	X (mm)	Y (mm)	Shape
HRC-LJA-EE02-01	1.20	1.20	Square
HRC-LJB-EE02-01	1.70	1.70	Square
HRC-LJC-EE02-01	2.70	2.70	Square
HRC-LJD-EE02-01	3.20	3.20	Square
HRC-LJE-EE02-01	6.20	6.21	Square
HRC-LJF-EE02-01	1.70	1.90	Rectangle
HRC-LJG-EE02-01	2.70	2.90	Rectangle
HRC-LJH-EE02-01	3.20	3.40	Rectangle
HRC-LJJ-EE02-01	1.70	3.20	Rectangle
HRC-LJK-EE02-01	3.20	6.20	Rectangle
HRC-LJL-EE02-01	3.20	9.20	Rectangle

ESD Properties

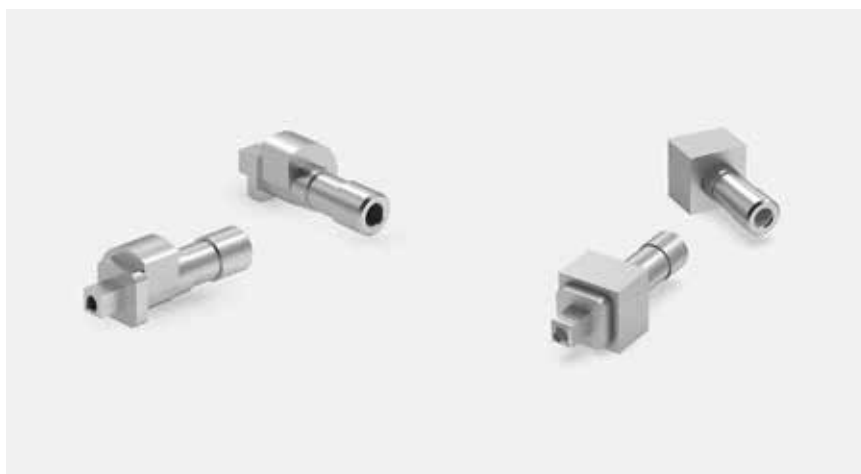
Conductive < 10⁵ Ω

Holder Material

Aluminium
Steel
Stainless Steel

Rubber Tip Compatibility

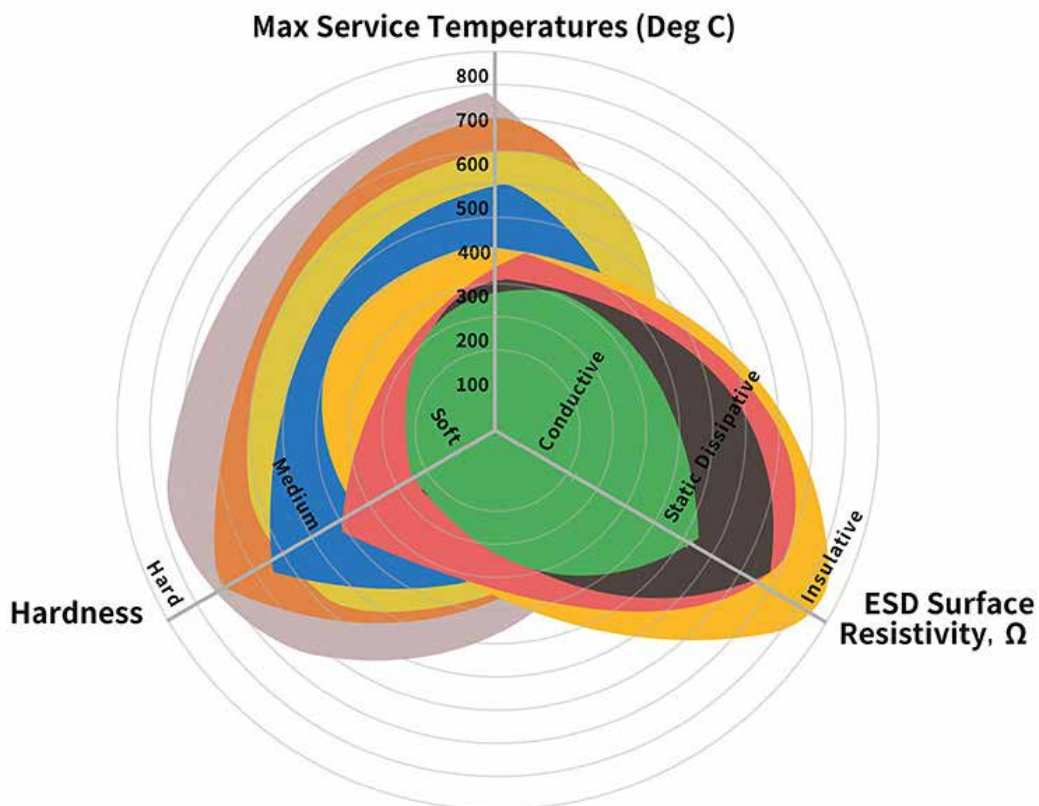
Flat Tips
Vacuum Relief Tips
Groove Tips
Matrix Tips
Side Contact Tips



MATERIALS

Oricus's extensive line of engineered materials specially developed and selected to offer optimal tooling performance for your specific Semiconductor Backend process. Our in-house materials are closely developed in partnership with Original Equipment Manufacturers with input from our customers. For externally procured materials, each material goes through a rigorous Quality Assurance and Performance Assessment programme before making it into our material list.

Oricus' in depth understanding and experience of materials allows us to formulate tooling solutions that work for you. As part of our value proposition, we study the conditions of your application and suggest the most appropriate material that meets your needs.



Tungsten Carbide WC Line

Non Ferrous Metals NF Line

Superalloy SA Line

Performance Engineering Plastics SP Line

Stainless Steel SS Line

Engineering Plastics EP Line

Tool Steel TS Line

Rubber R Line

<p>WC LINE</p> <p>Tungsten Carbide</p> <p>High Wear & High Temp Resistance</p> <p>Carbide, K15 Carbide, K30 Carbide, M30 Carbide K40 Carbide, MG30</p>	<p>SA LINE</p> <p>Superalloy</p> <p>All-Round Superior Performance</p> <p>Haynes 25 (L605) Inconel Alloy 625 Inconel Alloy 718 Incoloy Alloy 925 Nitronic 50 Nitronic 60 Titanium Grade 2 Stellite 6 Stellite 31</p>	<p>SS LINE</p> <p>Stainless Steel</p> <p>Balanced Properties</p> <p>15-5 PH 17-4PH SUS 430F SUS 420 SUS 440C SUS 316 SUS 301 SUS 304 SUS 303</p>	<p>TS LINE</p> <p>Tool Steel</p> <p>High Strength</p> <p>CPM-10V SKD 11 SKH 51 Mirrax 40 ASP 23 Stavax XW 10 XW 42 Assab 718 - HH HSS DF2 DF3 Ramax HH Rochling 2315</p>
<p>NF LINE</p> <p>Non Ferrous Metals</p> <p>Special Applications</p> <p>Aluminium 7075 Aluminium 6061 Copper Brass Hovadur K350</p>	<p>SP LINE</p> <p>Performance Engineering Plastics</p> <p>Advantageous Performance & Value</p> <p>Torlon 4432 (PAI) Torlon 4301 (PAI) Torlon 5030 (PAI) Toriion 7130 (PAI) Vespel SCP5050 (P) Vespel SP 21 (PD) Vespel SP1 (PI) ESD Semitron 520 ESD Semitron 420 ESD Semitron 410C ESD Semitron 225</p>	<p>EP LINE</p> <p>Engineering Plastics</p> <p>Economical And Versatile</p> <p>Acrylic/ Polycarbonate TECAFORM SD Delrin ESD Delrin White Delrin Black POM PEEK PEEK HT PEEK GF 30% PEEK CF 30%</p>	<p>R LINE</p> <p>Rubber</p> <p>Geometric Flexibility ESD Protection</p> <p>NBR NBR (Soft) NBR (Hard) NBR (Coated) HPR HPR (Soft) HPR (Hard) UPR CR (ESD) CR</p>

Contact Us

United States

📍 40 Trolley Square, Wilmington, Delaware

✉ us.sales@oricus-semicon.com

☎ +1 302 725 3188

United Kingdom

📍 15 Charleville Circus, Flat 3 London

✉ eu.sales@oricus-semicon.com

☎ +44 330 128 9181

Singapore

📍 2, 488 Sims Avenue, Singapore, 387560

✉ sg.sales@oricus-semicon.com

☎ +65 68649617

Malaysia

📍 8, Jalan Damanlela, Pusat Bandar Damansara Wilayah Persekutuan, Kuala Lumpur

✉ my.sales@oricus-semicon.com

☎ +60 154 600 0140

Philippines

📍 I Light Industry and Science Park of the Philippines Cabuyao, Laguna

✉ ph.sales@oricus-semicon.com

☎ +63 2 8271 2168

China

📍 Block D, Hangcheng Smart Security Science Park Shenzhen Guangdong

✉ cn.sales@oricus-semicon.com

☎ +86 400 842 7789

Hong Kong

📍 #28-34, 88 Commercial Building Wing Lok St Sheung Wang

✉ hk.sales@oricus-semicon.com

☎ +852 3008 8283

Taiwan

📍 7F, No.2-1, WhenHu Street Taipei, 11445

✉ tw.sales@oricus-semicon.com

☎ +886 2 7753 5371

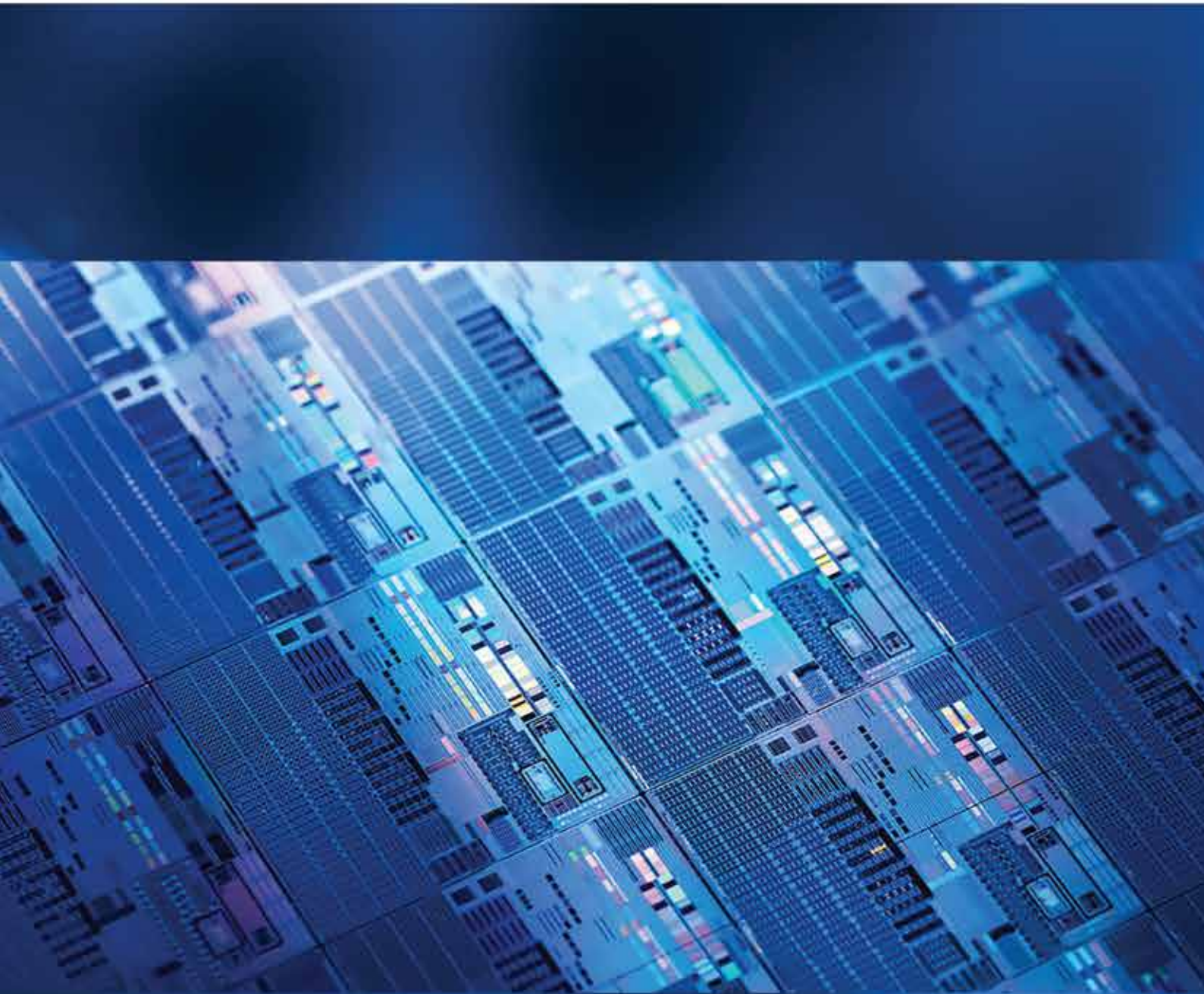
Korea

📍 27 Noksapyeong-daero 26ga-gil Seoul Seoul

✉ kr.sales@oricus-semicon.com

☎ +82 2 2023 6568





www.oricus-semicon.com
info@oricus-semicon.com